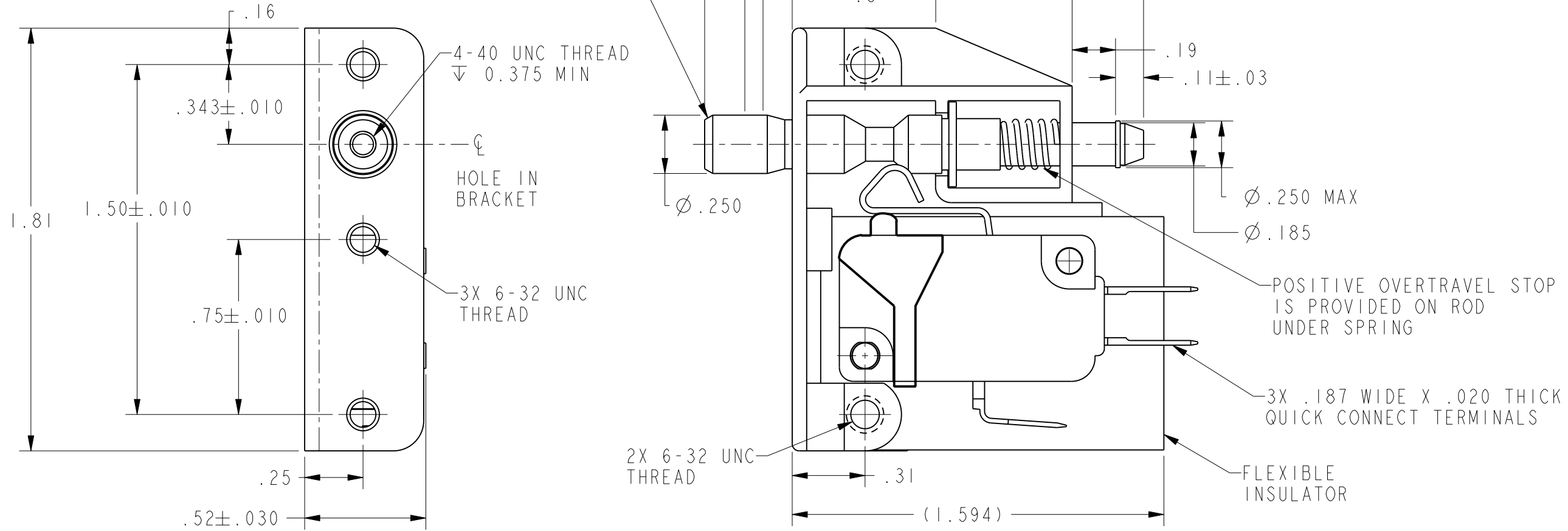


HONEYWELL PART NUMBER
23AC80
KC-R1632

REV	DOCUMENT	CHANGED BY	CHECK
4	0012977	DVM 04MAY05	AK

PUSH TO OPERATE-RETURNS
AUTOMATICALLY TO POSITION
SHOWN
PULL TO OPERATE-REMAINS IN
OPERATED POSITION UNTIL RESET
FOR AUTOMATIC RETURN BY NEXT
FULL STROKE "PUSH" OPERATION



NOTES

1. UNIT INCLUDES CATALOG LISTING "V7-6A17D8-296-S" BASIC SWITCH
2. BASIC SWITCH PLASTIC PARTS ARE MADE OF GLASS FILLED PBT AND TEFLON FILLED PHENOLIC
3. ACTUATOR ROD MADE OF HIGH STRENGTH PLASTIC
4. UL AND CSA APPROVALS APPLY TO BASIC SWITCH ONLY

REPLACES: X110597-AC

CHARACTERISTICS	ELECTRICAL DATA	DESIGN UNITS: INCH	DRAWN	DCS	26FEB98	Honeywell					
		TOLERANCES UNLESS NOTED:	CHECK	J A F	10JUN98						
TOTAL TRAVEL:	CONTACT ARRANGEMENT	NO PLACE X ±	THIS DRAWING COVERS A PROPRIETARY ITEM AND IS THE PROPERTY OF HONEYWELL. THIS DRAWING IS NOT TO BE COPIED OR USED WITHOUT THE PERMISSION OF HONEYWELL.			TITLE					
.250 APPROX PUSH DIRECTION	S P D T	ONE PLACE .X ±				ASSEMBLY-SWITCH					
.187 APPROX PULL DIRECTION	5A 125, <u>250</u> , 277 VAC	TWO PLACE .XX ±				SIZE			DRAWING NAME		REV
FULLY DEPRESSED FORCE-- 4 LBS MAX	1/10HP <u>250</u> VAC	THREE PLACE .XXX ±				B	I	23AC80		4	
		FOUR PLACE .XXXX ±	INTERPRET PER ASME Y14.5M-1994 OTHER HONEYWELL ENGINEERING STANDARDS MAY APPLY			SCALE	SHEET				
		ANGLES X ±	Pro/ENGINEER 3D			2:1	1 OF 1				
		THIRD ANGLE PROJECTION									